

Low Profile Compression Disk



FEATURES

- Capacities: 5K, 10K, 25K, 50K, 100Klb
- Electroless nickel plated alloy tool steel
- Compact size with low profile
- Stainless Steel available
- ² Surge protection optional for 5K-100Klb

OPTIONAL FEATURES

- FM approval available
- LCD-TT/M/MH with different loading holes

DESCRIPTION

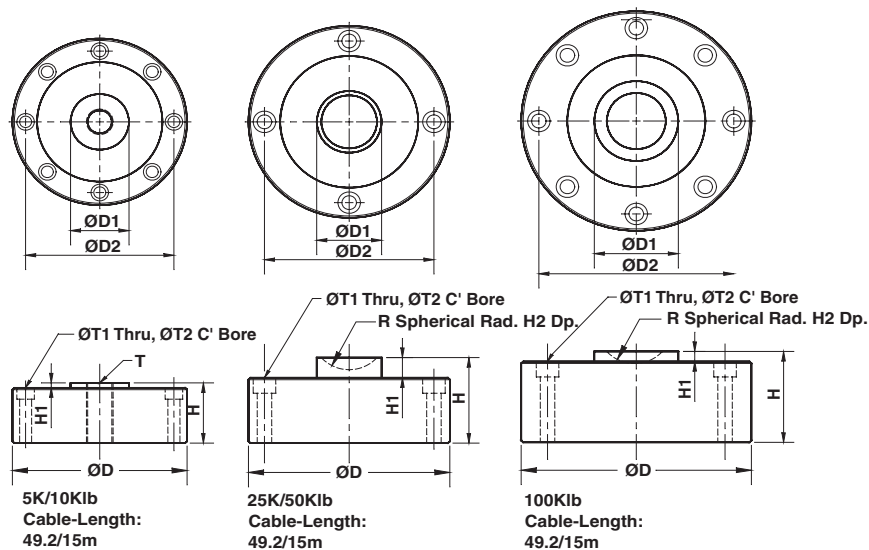
The low profile compression disk is designed as the ultimate solution for some difficult applications with critical height for safety reasons. The shear web design provides excellent performance even when the side force inevitably exists in normal operations. The typical example for side force resistance is the applications in motor truck scales.

LCD is constructed of alloy steel and fully potted with special chemical compounds to IP67 providing excellent protection against moisture and humidity.

APPLICATIONS

- Truck/Rail scales
- Silo/Hopper/Tank weighing
- Universal Material Tester
- Tensile/Pulling Force Measurement

OUTLINE DIMENSIONS



Wiring diagram

- + Excitation Red
- Excitation Black
- + Signal Green
- Signal White

CAPACITY		D	D1	D2	H	H1	H2	R	T	T1	T2
5K/10Klb	mm	104.7	32.0	88.9	34.8	3.05	----	----	5/8-18UNF	7.2	10.5 x 7.2DP
	(inch)	4.12	1.26	3.50	1.37	0.12	----	----	----	0.28	0.41 x 0.28DP
25K/50Klb	mm	120.7	38.9	101.6	53.8	12.7	7.6	22.2	----	8.7	13.5 x 9.7DP
	(inch)	4.75	1.53	4.00	2.12	0.50	0.30	0.87	----	0.34	0.53 x 0.38DP
100Klb	mm	138	50.4	116.8	57.2	6.4	7.6	22.2	----	10.13	16.5 x 11.0DP
	(inch)	5.43	1.98	4.60	2.25	0.25	0.30	0.87	----	0.41	0.65 x 0.43DP

SPECIFICATIONS

PARAMETER	VALUE	UNIT
NTEP/OIML Accuracy class	Non-Approved	
Maximum no. of intervals (n)	2000	
$Y = E_{max}/V_{min}$	5000	Maximum available
Standard capacities (E_{max})	5K, 10K, 25K, 50K, 100K	lbs
Rated output-R.O.	4.0	mV/V
Rated output tolerance	0.25	±% of rated output
Zero balance	1	±% of rated output
Non linearity	0.050	±% of rated output
Hysteresis	0.050	±% of rated output
Non-repeatability	0.020	±% of rated output
Creep error (20 minutes)	0.030	±% of rated output
Zero return (20 minutes)	0.030	±% of rated output
Temperature effect on min. dead load output	0.0026	±% of rated output/°C
Temperature effect on sensitivity	0.0015	±% of applied load/°C
Compensated temperature range	-10 to +40	°C
Operating temperature range	-20 to +60	°C
Safe overload	150	% of R.C.
Ultimate overload	300	% of R.C.
Excitation, recommended	10	Vdc or Vac rms
Excitation, maximum	15	Vdc or Vac rms
Input impedance	385±5*	Ohms
Output impedance	350±3**	Ohms
Insulation resistance	>5000	Mega-Ohms
Construction	Nickel plated alloy steel	
Environmental protection	IP67	

* 770±10 Ohms for 100Klbs.

** 700±5 Ohms for 100Klbs.

All specifications listed subject to change without notice.

FM Approval

Intrinsically Safe: Class I, II, III; Div. 1 Groups A-G

Non-Incendive: Class I; Div. 2 Groups A-D

Disclaimer

All product specifications and data are subject to change without notice.

Vishay Precision Group, Inc., its affiliates, agents, and employees, and all persons acting on its or their behalf (collectively, "Vishay Precision Group"), disclaim any and all liability for any errors, inaccuracies or incompleteness contained herein or in any other disclosure relating to any product.

Vishay Precision Group disclaims any and all liability arising out of the use or application of any product described herein or of any information provided herein to the maximum extent permitted by law. The product specifications do not expand or otherwise modify Vishay Precision Group's terms and conditions of purchase, including but not limited to the warranty expressed therein, which apply to these products.

No license, express or implied, by estoppel or otherwise, to any intellectual property rights is granted by this document or by any conduct of Vishay Precision Group.

The products shown herein are not designed for use in medical, life-saving, or life-sustaining applications unless otherwise expressly indicated. Customers using or selling Vishay Precision Group products not expressly indicated for use in such applications do so entirely at their own risk and agree to fully indemnify Vishay Precision Group for any damages arising or resulting from such use or sale. Please contact authorized Vishay Precision Group personnel to obtain written terms and conditions regarding products designed for such applications.

Product names and markings noted herein may be trademarks of their respective owners.